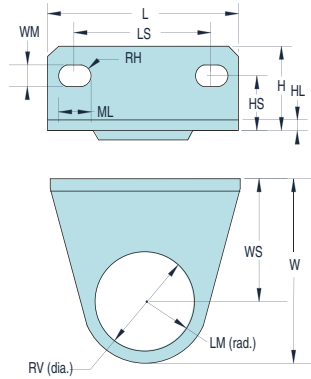




Replacement Mounting Hardware for Regulators & Stacked Filter-Regulators

Brackets are included with the purchase of these components.

Regulator	Bracket Part No.
MMR-1N/MMFRS-1N	MMH-B120
MMR-2P/2Q	MMH-B220
MMFRS-2P/2Q	MMH-B220
MMR-3Q/3W	MMH-B320
MMFRS-3Q/3W	MMH-B320
MMR-4W/4Z/4A	MMH-B420
MMFRS-4W/4Z/4A	MMH-B420
MMR-5B	MMH-B420
MMFRS-5B	MMH-B420



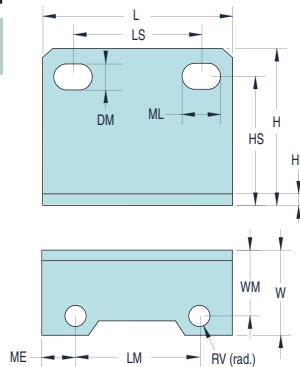
Dim.	MMH-B120	MMH-B220	MMH-B320	MMH-B420
L	1.57 (40.0)	2.17 (55.0)	2.09 (53.0)	2.76 (70.0)
LS	1.10 (28.0)	1.34 (34.0)	1.57 (40.0)	2.13 (54.0)
H	0.67 (17.0)	1.38 (35.0)	0.85 (21.5)	1.06 (27.0)
HS	0.43 (11.0)	0.75 (19.0)	0.55 (14.0)	0.71 (18.0)
W	1.49 (37.8)	1.97 (50.0)	2.52 (64.0)	3.12 (79.2)
WS	0.98 (25.0)	1.18 (30.0)	1.55 (39.0)	1.94 (49.2)
RV	0.81 (20.5)	1.32 (33.5)	1.67 (42.5)	2.07 (52.5)
LM	0.48 (12.3)	0.79 (20.0)	0.98 (25.0)	1.18 (30.0)
ML	0.26 (6.5)	0.21 (5.4)	0.26 (6.5)	0.33 (8.5)
WM	0.18 (4.5)	0.21 (5.4)	0.26 (6.5)	0.33 (8.5)
RH	0.09 (2.3)	0.11 (2.7)	0.13 (3.3)	0.17 (4.3)
HL	0.08 (2.0)	0.09 (2.3)	0.09 (2.3)	0.09 (2.3)



Mounting Hardware for Lubricators & Filters

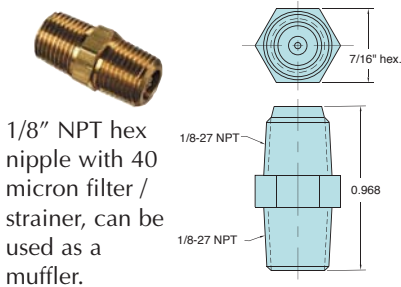
No brackets are furnished with Lubricators or Filters. Comes with hardware to mount bracket to MMF/MML.

Filter/ Lubricator	Bkt. Mtg. Thread	Bracket Part No.
MMF-2P	M4	MMH-B240
MML-2P	M4	MMH-B240
MMF-3	M4	MMH-B340
MML-3	M4	MMH-B340
MMF-4Z/4W	M5	MMH-B440
MML-4Z/4W	M5	MMH-B440
MMF-4A	M5	MMH-B540
MML-4A	M5	MMH-B540
MMF-5	M6	MMH-B640
MML-5	M6	MMH-B640



Dim.	MMH-B240	MMH-B340	MMH-B440	MMH-B540	MMH-B640
L	1.58 (40.1)	2.09 (53.0)	2.76 (70.0)	2.76 (70.0)	3.54 (90.0)
LS	1.06 (27.0)	1.59 (40.4)	2.12 (53.8)	2.13 (54.0)	2.60 (66.0)
DM	0.21 (5.3)	0.26 (6.6)	0.34 (8.64)	0.34 (8.64)	0.43 (10.9)
H	1.18 (30.0)	1.51 (38.4)	1.85 (47.0)	1.89 (48.0)	2.50 (63.5)
HS	0.95 (24.1)	1.24 (31.5)	1.49 (37.8)	1.53 (38.9)	2.03 (51.6)
W	0.74 (18.8)	0.95 (24.1)	1.22 (31.0)	1.24 (31.5)	1.69 (43.0)
RV	0.18 (4.5)	0.17 (4.3)	0.22 (5.5)	0.22 (5.5)	0.26 (6.5)
LM	1.03 (26.2)	1.39 (35.3)	1.85 (47.0)	1.79 (45.5)	2.37 (60.2)
ME	0.27 (6.9)	0.35 (8.9)	0.45 (11.4)	0.48 (12.2)	0.59 (15.0)
ML	0.33 (8.4)	0.32 (8.0)	0.41 (10.4)	0.41 (10.4)	5.12 (13.0)
WM	0.56 (14.2)	0.77 (19.6)	0.77 (19.6)	0.79 (20.1)	0.43 (11.0)
HL	0.08 (2.0)	0.08 (2.0)	0.87 (22.1)	0.09 (2.3)	0.13 (3.2)

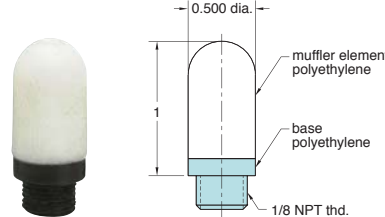
1/8" NPT Filter



1/8" NPT hex nipple with 40 micron filter / strainer, can be used as a muffler.

Part No.	Description
9002-01	1/8" NPT Filter

Muffler



The 3849-1 muffler is constructed of durable polyethylene with a 1/8" NPT male thread.

Part No.	Description
3849-1	Muffler

Filter Elements

All Maximatic filters come standard with a 25 micron sintered brass filter element and baffle, however 5 micron filters are also available. Add "-F5" to the end of the filter Part Number for 5 micron. Replacement filters with baffles are also offered below.

Filter Series	5 micron	25 micron
MMF-1	27021	27050
MMF-2	27022	27051
MMF-3	27023	27052
MMF-4	27024	27053
MMF-5	27025	27054